

# Installation/Operating Instructions

## Premier/Series C Crank-Operated Projection Screen by Draper

### ⚠ Caution

- ① Read instructions through completely before proceeding; keep them for future reference. Follow instructions carefully. Installation contrary to instructions invalidates warranty. Care in both mounting and correct operation will mean long and satisfactory service from your Draper screen.
- ② Screen should be accessible for complete removal should fabric become damaged or should other service be required.
- ③ Screen should be installed level (using a carpenter's level).
- ④ Nothing should be fastened to screen dowel or viewing surface.
- ⑤ Operating crank is packed separately in screen carton. Do not discard with packing material.

**NOTE:** Screen has been thoroughly inspected and tested at factory and found to be operating properly prior to shipment.

### Hanging Screen

Your Draper screen can be mounted on a wall or suspended from the ceiling. With either method of installation, the case must be mounted level and with the flat back parallel to the wall.

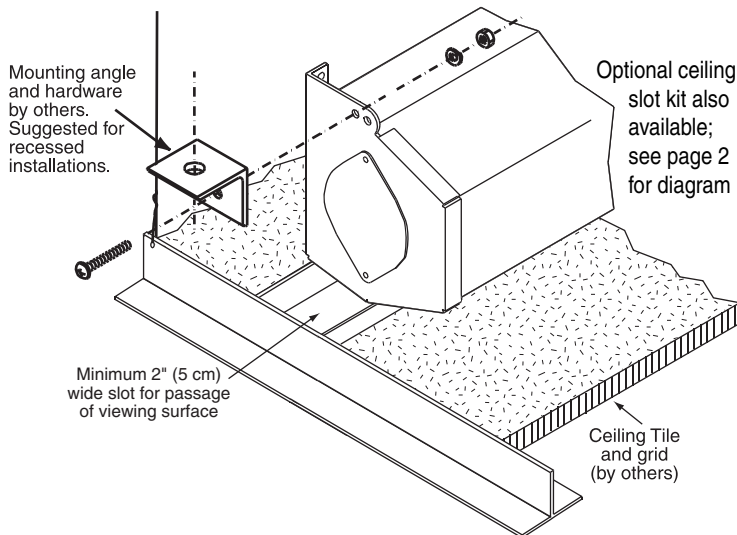
To reduce the risk of personal injury, use only the hardware which comes with the screen or is specified in these instructions.

The screen should be mounted into studs or blocking in the wall/ceiling, or in drywall (minimum thickness ½" [13 mm]) with specified anchors. For any other type of installation, follow all local building and safety codes.

Steel studs, concrete or cinder block walls and all other types of non-wood frame construction require the use of special screws or anchors. The selection of appropriate mounting hardware should be made by a qualified professional installer.

When locating viewing surface and checking clearance for screen's operation, remember surface is centered in case. Handle case carefully to avoid scratching.

Regardless of mounting method, screen should be positively and securely supported so that vibration or even abusive pulling on the viewing surface will not cause case to work loose or fall. Installer must insure that fasteners used are of adequate strength and suitable for the mounting surface chosen.



### Suspended Installation

Suspend screen from holes in endcaps. "S" hooks, chains (or cable) and turn-buckles should be provided by installer. "S" hooks should go through the front holes on the endcaps (see drawing on page 2), and both ends of the "S" hooks should be crimped for additional safety. Chains should be attached to beams or other structural members. Turnbuckles should be adjusted so screen hangs level.

### Wall Installation

Mount screen through holes in back of endcaps as shown. Installer should furnish screws, toggle bolts, molly bolts, nylon or lead anchors as required.

### Recessed Installation

Recess should permit access for removal of screen if necessary. Screen may be mounted as in suspended or wall installation.

### Wall or Ceiling Installation with Floating Brackets

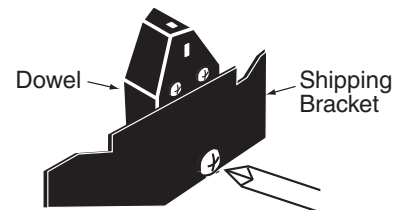
Floating brackets should be located on studs or joists. The bracket then attaches at any almost any point along the case. For details, see separate instruction sheet that ships with the Floating Wall Bracket.

### Operation

To lower screen surface, attach the crank handle to the "U" joint stud located on the left-hand side of the screen. With the crank handle in its operating position, rotate counterclockwise. An internal pin within the gear box will stop the screen when fully extended. The crank handle can be removed if desired. **The shipping support brackets must be removed from each end of dowel during initial operation: see below.**

To raise screen surface, attach the crank to the "U" joint stud located on the left hand side of the screen. With the crank handle in its operating position, rotate clockwise. An internal pin within the roller will stop the screen when fully retracted. The crank handle can be removed if desired.

**Note:** The shipping support brackets must be removed from each end of dowel during initial operation before screen is operated in UP direction. After screen is installed, run viewing surface DOWN to access screws that hold brackets to dowel. Loosen hex head screw, remove bracket and retighten screw at each end of dowel. Raise and lower viewing surface several times to confirm satisfactory operation.



# DRAPER®

411 S. Pearl St., Spiceland, IN 47385 USA ■ 765-987-7999  
www.draperinc.com ■ fax 765-987-7142

Copyright © 2012 Draper Inc.

Form PremierC\_Inst12

Printed in U.S.A.

**Please Note: Instructions for adjusting Draper's Tab-Tension System are on page 2.**

If you encounter any difficulties installing or servicing your Premier/Series C screen, call your dealer or Draper, Inc., Spiceland, Indiana, U.S.A., (765) 987-7999 or fax (765) 987-7142.

