

Paragon/Series E

Large Electrically Operated Projection Screen With Motor-In-Roller

by **DRAPER**

Specifications—Paragon/Series E

_____ projection screens, size _____
 h. x _____ w., electrically operated 110-120v AC 60 Hz. 3-wire motor mounted inside screen roller, 2.5 amp draw, instantly reversible, lifetime lubricated, with internal thermal overload protector and mechanical brake. Motor mounted with sound-absorbing fixtures. Left hand motor location only. Preset, accessible limit switches. J-box inside case accessible via 22 ga. steel cover plate. Entire roller and drive assembly easily removable through bottom of case. Roller to be 6" OD x 1/8" wall steel tube. Roller brackets to be painted white and to have double row radial ball bearings. Viewing surface to be flame and mildew resistant. Matt White XT1000E viewing surface is certified to GREENGUARD standards for low chemical emissions into indoor air during product usage. For more information, visit ul.com/gg. Dowel shall be 1 1/2" OD steel tube with black polyethylene endcaps.
 Case constructed of extruded aluminum. Bottom of case fully enclosed except for slot allowing fabric passage. Bottom closure panel shall be extruded aluminum,



Please Mark Appropriate Selections

Select Viewing Surface:

- Matt White XT1000E(1.0 gain) GREENGUARD Gold certified
- Other: _____

Optional Accessories:

- Extra Screen Drop (Total screen height cannot exceed 24')
 - Same color as viewing surface (standard on AV format screens)
 - Black (standard on all other formats)
 Length of total drop _____
- Black Masking Borders (Optional on AV format, standard on all others)
- Wall Mount Bracket Kit (Includes two brackets)
- Endcap Ceiling Tile Flange Kit (2 per kit)
- Ceiling Tile Flange for front and/or rear of case (12' lengths)
 - How many 12' lengths do you need? _____

Control Options:

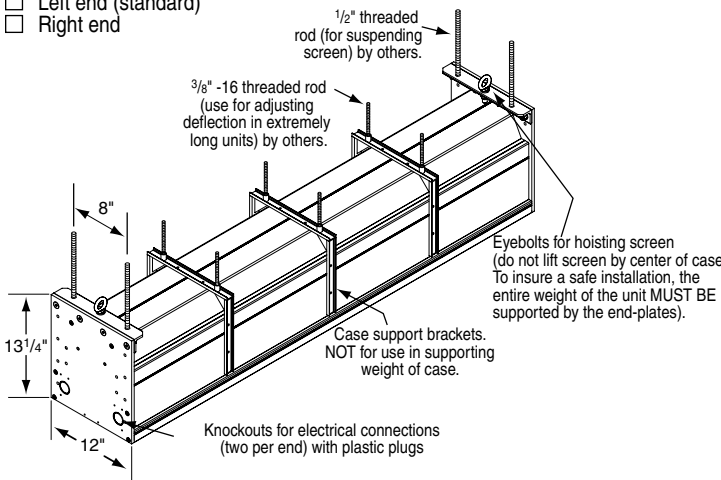
Please Note: This Draper motorized screen comes with one 110V-120V AC 3-position wall switch (silver wall plate with black rocker)

- Total number of 110-120V AC switches (switches operate independently) _____
- Substitute white switch(es) for silver wall plate with black rocker
- Optional Low Voltage Control Module (LVC-IV)
 - 24 Volt 3-Button Switch Number of 24V switches: _____
 - Radio Frequency Remote Control (only with 24v)
 - Infrared Remote Control (only with 24v)
- Optional Key Operated Switch
 - Power Supply Key Switch (On-off)
 - 3-Position Key Control
 - 3-Position Switch with Hinged Key-Locking Coverplate
- Optional Video Interface Control
 - VIC-115 Override Switch
 - VIC-12 Override Switch
 - VIC-6 Override Switch

(VICs are compatible only with the Override Switch, and not with any other wall switches or controls)

Select Motor Location:

- Left end (standard)
- Right end



Please see back page for dimensional diagrams of case and optional wall mounting bracket

finished white, and may be removed manually for access to roller and drive unit. Closure panel shall be held in place by screw and bracket at each end of case. Aluminum endplates with integrated steel brackets for suspended mounting shall be fastened to extruded case with thread-cutting screws. Eyebolts shall be provided for use in hoisting screen. Case support brackets shall be welded steel channel, riveted to exterior of case. Three-position control switch (or switches—specify number) shall stop or reverse screen at any point. Controls to be furnished complete with cover plate. Entire unit certified by Underwriters' Laboratories, Inc. for the U.S. and Canada. Suitable for use in environmental air space in accordance with Section 300-22 (c) of the National Electrical Code, and Sections 2-128, 12-010 (3) and 12-100 of the Canadian Electrical Code, Part 1, CSA C22.1. U.S. Patent No. 6,873,461.

Options:

Wall Mount Bracket Kit: Kit includes two structural steel brackets and hardware to attach brackets to case. Hardware for mounting to wall structure by others.
Endcap Ceiling Tile Flange Kit: Extruded aluminum, finished white. Attaches to endcaps. Each kit contains two (2) flange pieces and hardware for attaching trim flanges to endcaps.
Ceiling Tile Flange for Front of Case: Each kit includes 12' extruded aluminum, finished white. Attaches to front of case. Hardware for attachment to case included.
Downloadable 3-part specifications are available at www.draperinc.com. Specifications subject to change without notice.

Dimensions & Data

Size H x W	Case Length	Net Wt. (Lbs.)	Qty.		
AV Format					
15' x 20'	250"	440			
20' x 20'	250"	450			
11' x 22'	274"	484			
16'6" x 22'	274"	494			
22' x 22'	274"	504			
12' x 24'	298"	528			
18' x 24'	298"	538			
24' x 24'	298"	548			
13' x 26'	322"	572			
19'6" x 26'	322"	582			
14' x 28'	346"	616			
21' x 28'	346"	626			
Nominal Diagonal	Image Area H x W	Overall Size	Case Length	Net Wt. (lbs.)	Qty.
4:3 NTSC Video Format					
25'	177" x 236"	182" x 240"	250"	440	
27' 6"	194" x 260"	198" x 264"	274"	484	
30'	212" x 284"	217" x 288"	298"	528	
32' 6"	230" x 308"	235" x 312"	322"	572	
35'	248" x 332"	253" x 336"	346"	616	
16:9 HDTV Video Format					
270"	133" x 236"	138" x 240"	250"	440	
300"	146" x 260"	151" x 264"	274"	484	
324"	160" x 284"	165" x 288"	298"	528	
354"	173" x 308"	178" x 312"	322"	572	
384"	187" x 332"	192" x 336"	346"	616	
16:10 Format					
278"	147 1/2" x 236"	152 1/2" x 240"	250"	440	
307"	162 1/2" x 260"	167 1/2" x 264"	274"	484	
335"	177" x 284"	182" x 288"	298"	528	
363"	192 1/2" x 308"	197 1/2" x 312"	322"	572	
392"	207 1/2" x 332"	212 1/2" x 336"	346"	616	

Custom Size

Case Dimensions 13 1/4" high x 12" deep. Optional wall mounting brackets extend 1 1/4" beyond each end of case (hole centers are 1" from end of case).

Paragon/Series E cases longer than 300" require special handling.

PROJECT: _____

ARCHITECT: _____

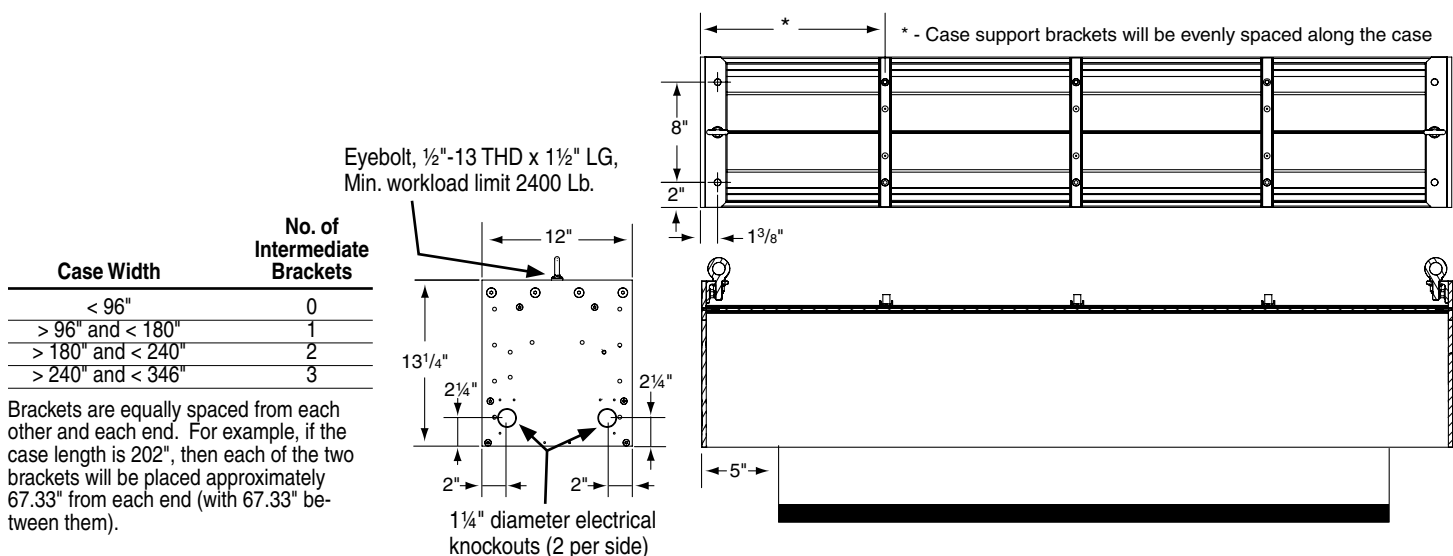
CONTRACTOR: _____

SUPPLIER: _____

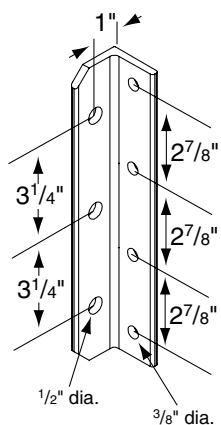
DATE: _____ REVISED: _____

DRAPER

Case Dimensions*



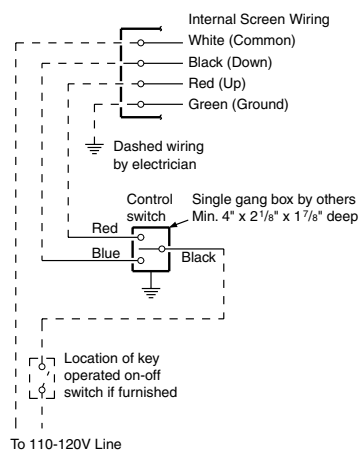
Optional Wall Mounting Bracket



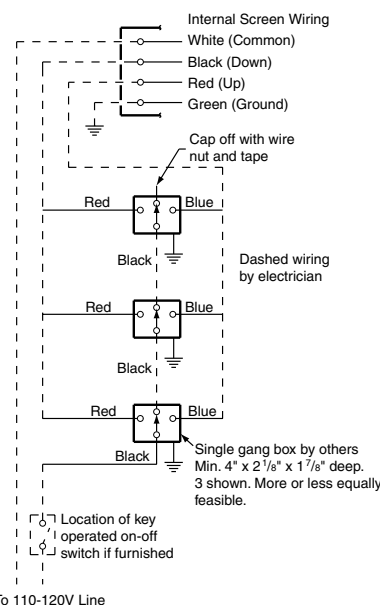
***Please Note: Optional wall brackets add 1 1/4" per bracket to case length. Wall mounting bracket hole location is 1" from end of case.**

Wiring Diagrams

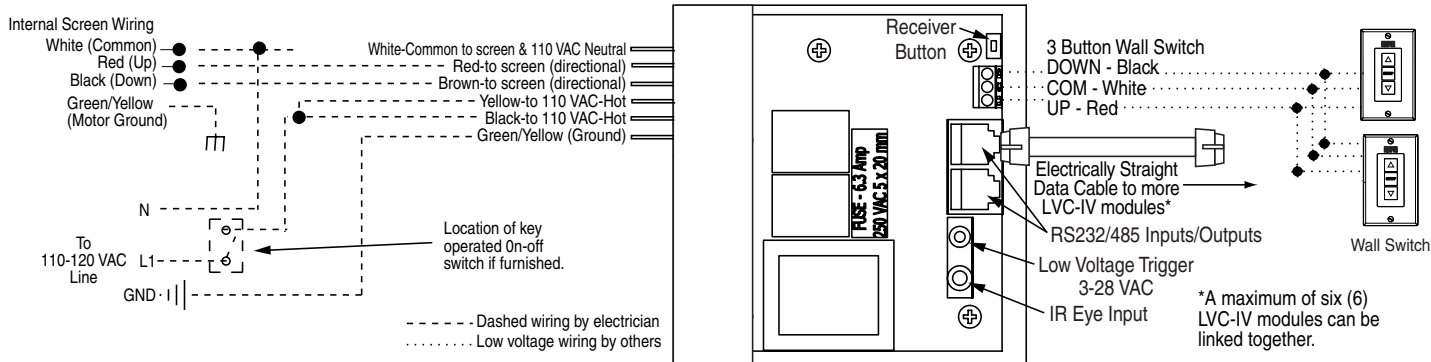
Single Station Control



Multiple Station Control



Low Voltage, IR Remote, RF Remote, Serial or Network Control (LVC-IV)



*** For more information and wiring diagrams for low voltage multiple motors and network communication, please see wiring diagrams supplied with individual items.**

PROJECT: _____

SUPPLIER: _____

DATE: _____ REVISED: _____