

Luma 2

Heavy Duty Spring Roller Operated Projection Screen

by **DRAPER**

Specifications—Luma 2

_____ projection screens, size _____ h. x _____ w., wall/ceiling mounting. Case of 22 ga. steel, flat back design, with scratch-resistant white polyester finish. Friction-free closure. Viewing surface shall be flame and mildew resistant. Matt White XT1000E viewing surface is certified to GREENGUARD standards for low chemical emissions into indoor air during product usage. For more information, visit ul.com/gg. Note: Matt White XT1000E up to 10' high will be seamless. Black Masking Borders—1½" through 70" wide; 1¾" on 84" wide; 2" on larger screens (optional on AV format, standard on all others). Endcaps, finished to match case, to have integral roller brackets. Endcaps to form universal mounting brackets. Viewing surface mounted on a 1¾", 2¼" or 3" dia. rigid steel roller, depending on screen size. Bottom of viewing surface forms a pocket for the dowel. Saddle and pull attached by screws. Specifications subject to change without notice.



Please Check All Appropriate Selections

Select Viewing Surface:

- Matt White XT1000E (1.0 gain): GREENGUARD Gold certified
- Argent White XH1500E (1.5 gain) (Thru 8' x 10'): Optional
- Contrast Grey XH800E (0.8 gain): GREENGUARD Gold certified: Optional
- Other: _____

Optional Accessories:

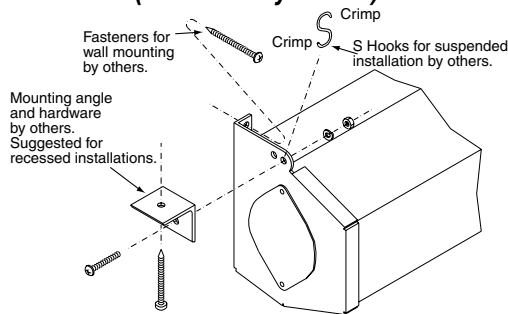
- Mounting Brackets
 - 6" Bracket
 - 10"-14" Bracket (8' wide limit)
 - Adjustable Bracket (8' wide limit)
- Optional Floating Mounting Brackets (for wall and ceiling)
- Black Masking Borders—1½" through 70" wide; 1¾" on 84" wide; 2" on larger screens (optional on AV format, standard on all others)
- Extra Screen Drop ¹
 - Same color as viewing surface (standard on AV format screens)
 - Black (standard on all other formats)
 Length of total drop (including standard 12" on some sizes—see grid at right) ¹ _____
- Magnetic Tilt Lock Mechanism
- Aluminum Operating Pole
 - 4' long
 - 6' long

*To calculate case lengths for custom sizes:

Fabric width 8' and below: add 3" to fabric width
Fabric width above 8': add 3½" to fabric width

Also available in 1.85:1, 2.35:1 and 15:9 Formats. Contact Draper.

Methods of Installation (hardware by others)



Please Note: If using "S" Hooks, for added safety, crimp both ends of the "S" hooks so the screen cannot come off.

DRAPER

411 S. Pearl St., Spiceland, IN 47385 USA ■ 765-987-7999
www.draperinc.com ■ fax 765-987-7142
Copyright © 2015 Draper Inc. Form Luma2_Sub15 Printed in U.S.A.

Dimensions & Data

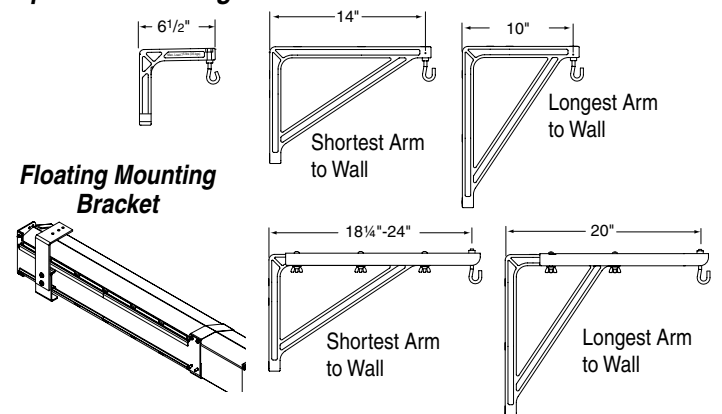
Size H x W	Case Length	Net Wt. (lbs.)	Qty.		
AV Format					
50" x 50"	52½"	26			
60" x 60"	62½"	29			
70" x 70"	72½"	32			
84" x 84"	86½"	33			
72" x 96"	99"	33			
96" x 96"	99"	37			
7' x 9'	111½"	40			
9' x 9'	111½"	45			
8' x 10'	123½"	44			
10' x 10'	123½"	50			
9' x 12'	147½"	58			
12' x 12'	147½"	69			
Nominal Diagonal	Image Area	Overall Size	Case Length	Net Wt. (lbs.)	Qty.
NTSC Video Format (4:3)					
100"	60" x 80"	64" x 83½"	86½"	35	
10'	69" x 92"	73" x 96"	99"	35	
11'	78" x 104"	83" x 108"	111½"	39	
150"	87" x 116"	92" x 120"	123½"	44	
15'	105" x 140"	109" x 144"	147½"	58	
HDTV Format (16:9)					
92" ¹	45" x 80"	57" x 83½"	86½"	35	
100" ¹	49" x 87"	61" x 91"	94"	35	
106" ¹	52" x 92"	64" x 96"	99"	35	
110" ¹	54" x 96"	66" x 100"	103½"	35	
119"	58" x 104"	62" x 108"	111½"	38	
133"	65" x 116"	69" x 120"	123½"	42	
161"	79" x 140"	84" x 144"	147½"	57	
16:10 Format					
94" ¹	50" x 80"	62" x 83½"	86½"	35	
109" ¹	57½" x 92"	69½" x 96"	99"	35	
113" ¹	60" x 96"	72" x 100"	103½"	35	
123"	65" x 104"	69" x 108"	111½"	38	
137"	72½" x 116"	76½" x 120"	123½"	42	
165"	87½" x 140"	92½" x 144"	147½"	57	
Custom Size*					

¹These sizes include 12" black drop as standard.

Case size—5 3/16" H. x 5 1/4" W.

Brackets extend 5/8" above case

Optional Mounting Brackets



PROJECT: _____

ARCHITECT: _____

CONTRACTOR: _____

SUPPLIER: _____

DATE: _____ REVISED: _____