

# Luma 2

## Specifications—Luma 2 with AutoReturn

\_\_\_\_\_ projection screens, size \_\_\_\_\_ h. x \_\_\_\_\_ w., wall/ceiling mounting. Case of 22 ga. steel, flat back design, with scratch-resistant white polyester finish. Viewing surface shall be flame and mildew resistant. Matt White XT1000E and Contrast Grey XH800E viewing surfaces are certified to GREENGUARD standards for low chemical emissions into indoor air during product usage. For more information, visit [ul.com/gg](http://ul.com/gg). Black Masking Borders—1½" through 70" wide; 1¾" on 84" wide; 2" on larger screens (optional on AV format, standard on all others). Endcaps, finished to match case, to have integral roller brackets. Endcaps to form universal mounting brackets. Viewing surface mounted on a 1¾", 2¼" or 3" dia. roller, depending on screen size. AutoReturn roller to prevent screen from retracting uncontrolled into the case. Bottom of viewing surface forms a pocket for the dowel. Saddle and pull attached by screws. Specifications subject to change without notice.



### Please Check All Appropriate Selections

#### Select Viewing Surface:

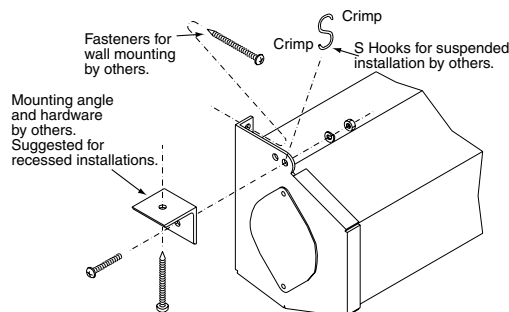
- Matt White XT1000E(1.0 gain): GREENGUARD Gold certified
- Argent White XH1500E (1.5 gain): Optional
- Contrast Grey XH800E (0.8 gain): GREENGUARD Gold certified: Optional
- Other: \_\_\_\_\_

#### Optional Accessories:

- Mounting Brackets
  - 6" Bracket
  - 10"-14" Bracket (8' wide limit)
  - Adjustable Bracket (8' wide limit)
- Optional Floating Mounting Brackets (for wall and ceiling)
- Black Masking Borders—1½" through 70" wide; 1¾" on 84" wide; 2" on larger screens (optional on AV format, standard on all others)
- Extra Screen Drop <sup>1</sup>
  - Same color as viewing surface (standard on AV format screens)
  - Black (standard on all other formats)
 Length of total drop (including standard 12" on some sizes—see grid at right) <sup>2</sup> \_\_\_\_\_
- Aluminum Operating Pole
  - 4' long
  - 6' long

Also available in 1.85:1, 2.35:1 and 15:9 Formats. Contact Draper.

### Methods of Installation (hardware by others)



**Please Note:** If using "S" Hooks, for added safety, crimp both ends of the "S" hooks so the screen cannot come off.



411 S. Pearl St., Spiceland, IN 47385 USA ■ 765-987-7999  
[www.draperinc.com](http://www.draperinc.com) ■ fax 765-987-7142  
 Copyright © 2015 Draper Inc. Form Luma2\_AR\_Sub15 Printed in U.S.A.

## Heavy Duty Spring Roller Operated Projection Screen

by **DRAPER**

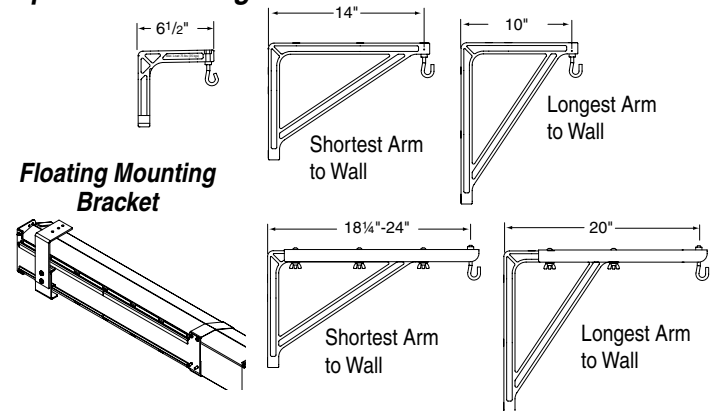
### Dimensions & Data

Size H x W	Case Length	Net Wt. (lbs.)	Qty.		
<b>AV Format</b>					
50" x 50"	52½"	26			
60" x 60"	62½"	29			
70" x 70"	72½"	32			
84" x 84"	86½"	33			
72" x 96"	99"	33			
96" x 96"	99"	37			
7' x 9'	111½"	40			
9' x 9'	111½"	45			
8' x 10'	123½"	44			
10' x 10'	123½"	50			
9' x 12'	147½"	58			
12' x 12'	147½"	69			
Nominal Diagonal	Image Area	Overall Size	Case Length	Net Wt. (lbs.)	Qty.
<b>NTSC Video Format (4:3)</b>					
100"	60" x 80"	64" x 83½"	86½"	35	
10'	69" x 92"	73" x 96"	99"	35	
11'	78" x 104"	83" x 108"	111½"	39	
150"	87" x 116"	92" x 120"	123½"	44	
15'	105" x 140"	109" x 144"	147½"	58	
<b>HDTV Format (16:9)</b>					
92" <sup>1</sup>	45" x 80"	57" x 83½"	86½"	35	
100" <sup>1</sup>	49" x 87"	61" x 91"	94"	35	
106" <sup>1</sup>	52" x 92"	64" x 96"	99"	35	
110" <sup>1</sup>	54" x 96"	66" x 100"	103½"	35	
119"	58" x 104"	62" x 108"	111½"	38	
133"	65" x 116"	69" x 120"	123½"	42	
161"	79" x 140"	84" x 144"	147½"	57	
<b>16:10 Format</b>					
94" <sup>1</sup>	50" x 80"	62" x 83½"	86½"	35	
109" <sup>1</sup>	57½" x 92"	69½" x 96"	99"	35	
113" <sup>1</sup>	60" x 96"	72" x 100"	103½"	35	
123"	65" x 104"	69" x 108"	111½"	38	
137"	72½" x 116"	76½" x 120"	123½"	38	
165"	87½" x 140"	92½" x 144"	147½"	57	

### Custom Size

<sup>1</sup>These sizes include 12" black drop as standard.  
 Case size—5 3/16" H. x 5 ¼" W. Brackets extend 5/8" above case

### Optional Mounting Brackets



PROJECT: \_\_\_\_\_

ARCHITECT: \_\_\_\_\_

CONTRACTOR: \_\_\_\_\_

SUPPLIER: \_\_\_\_\_

DATE: \_\_\_\_\_ REVISED: \_\_\_\_\_