

Please check all appropriate selections and attach room schedule with verified dimensions.

Specifications

QUANTITY: _____ **SIZE:** _____ h. x _____ w. (overall size) projection screen, designed for permanent wall mounting. Extruded aluminum frame with injection molded corners forms 2" (51mm) border. Frame finished black; optional black Vel-Tex textile covering also available.

Matt White XT1000V and Grey XH600V viewing surfaces are certified to GREENGUARD standards for low chemical emissions into indoor air during product usage. For more information, visit ul.com/gg. Viewing surfaces to have hem pocket on all four sides to accept screen insertion tubing. Surface attaches to extruded frame using extruded plastic strip, eliminating pulling and puckering inherent to fabric attachment utilizing snaps; snap attachment not acceptable as equivalent. Frame extrusions provide for horizontal and vertical surface tension adjustability to combat screen stretch and sag over time. Frame equipped with mounting flange that mates with wall brackets. Optional corner reinforcement kit required on all suspended Clarion screens and any Clarion with a viewing area 120" (3m) or greater (height or width). Clarions 150" (3.8m) NTSC, 133" (3.4m) HDTV, 137" (3.5m) 16:10 and 132" (3.4m) CinemaScope and above are provided with one or more vertical supports.



Downloadable 3-part specifications: available at www.draperinc.com

Please note: Dimensions of rollers, operators and hardware at manufacturer's discretion.

Select Frame Options:

- Black Frame (Standard)
- Black Vel-Tex textile covering (Optional)
- Corner Reinforcement Kit (Optional)
(required for flown screens and any Clarion with a viewing area 120" or greater (height or width))
- Fly Brackets (Optional)

Select Viewing Surface:

OptiFlex (Flexible)

- Matt White XT1000V (1.0 gain)
(GREENGUARD Gold Certified)
- Grey XH600V (0.6 gain)
(GREENGUARD Gold Certified)
- Pure White XT1300V (1.3 gain)

CineFlex (Rear/Dual Projection)

- CineFlex CH1200V
(1.2 gain)
- CineFlex White XT700V
(0.7 gain)
- Other: _____

ClearSound

- (Acoustically Transparent)
- ClearSound NanoPerf XT1000V (1.0 gain)
 - ClearSound White Weave XT900E (0.9 gain)
 - ClearSound Grey Weave XH600E (0.6 gain)
 - Other: _____

TECVISION® Premium Optical Surface

- XH700X Grey (0.7 gain) Certified
- XH800X UST ALR (0.8 gain) Certified
- XH900X ALR (0.9 gain) Certified
- MS1000X ALR (1.7 gain) Certified
- CS1000X ALR (1.0 gain) Certified
- CS1200X ALR (1.2 gain) Certified
- XT1000X White (1.0 gain) Certified
- XT1100X White (1.1 gain) Certified
- XT1300X White (1.3 gain) Certified
- XT1600X White (1.6 gain) Certified
- XT1800X White (1.8 gain) Certified
- XH700X Grey NanoPerf (0.7 gain) Certified
- XH900X ALR NanoPerf (0.9 gain) Certified
- MS1000X ALR NanoPerf (1.0 gain) Certified
- XT1000X White NanoPerf (1.0 gain) Certified
- XT1100X White NanoPerf (1.1 gain) Certified
- XT1300X White NanoPerf (1.3 gain) Certified
- XT1600X White NanoPerf (1.6 gain) Certified
- XT1800X White NanoPerf (1.8 gain) Certified
- CS1000X ALR NanoPerf (1.0 gain) Certified
- CS1200X ALR NanoPerf (1.2 gain) Certified

Dimensions and Data

16:10 Format

| Nominal Diagonal | Image Area (H x W) | Overall Size | Net Wt. (lbs.) | Quantity |
|------------------|--------------------|-------------------|----------------|----------|
| 67" | 35 1/4" x 56 1/2" | 39 1/4" x 60 1/2" | 32 | |
| 76" | 40" x 64" | 44" x 68" | 37 | |
| 85" | 45" x 72" | 49" x 76" | 38 | |
| 94" | 50" x 80" | 54" x 84" | 42 | |
| 109" | 57 1/2" x 92" | 61 1/2" x 96" | 45 | |
| 113" | 59 7/8" x 95 3/4" | 63 7/8" x 99 3/4" | 55 | |
| 123" | 65" x 104" | 69" x 108" | 72 | |
| 137" | 72 1/2" x 116" | 76 1/2" x 120" | 80 | |
| 165" | 87 1/2" x 140" | 91 1/2" x 144" | 87 | |

16:9 HDTV Format

| Nominal Diagonal | Image Area (H x W) | Overall Size | Net Wt. (lbs.) | Quantity |
|------------------|--------------------|-------------------|----------------|----------|
| 65" | 31 3/4" x 56 1/2" | 35 3/4" x 60 1/2" | 32 | |
| 73" | 36" x 64" | 40" x 68" | 37 | |
| 82" | 40 1/2" x 72" | 44 1/2" x 76" | 38 | |
| 92" | 45" x 80" | 49" x 84" | 42 | |
| 100" | 49" x 87" | 53" x 91" | 45 | |
| 106" | 52" x 92" | 56" x 96" | 55 | |
| 110" | 54" x 96" | 58" x 100" | 72 | |
| 119" | 58" x 104" | 62" x 108" | 80 | |
| 133" | 65" x 116" | 69" x 120" | 72 | |
| 161" | 79" x 140" | 83" x 144" | 80 | |

4:3 NTSC VIDEO Format

| Nominal Diagonal | Image Area (H x W) | Overall Size | Net Wt. (lbs.) | Quantity |
|------------------|--------------------|--------------|----------------|----------|
| 6' | 43" x 57" | 47" x 61" | 32 | |
| 6' 6" | 47" x 63" | 51" x 67" | 37 | |
| 7' | 50" x 67" | 54" x 71" | 38 | |
| 7' 6" | 54" x 72" | 58" x 76" | 42 | |
| 100" | 60" x 80" | 64" x 84" | 45 | |
| 10' | 72" x 96" | 76" x 100" | 55 | |
| 150" | 90" x 120" | 94" x 124" | 72 | |
| 15' | 108" x 144" | 112" x 148" | 80 | |

2.35:1 CinemaScope Format

| Nominal Diagonal | Image Area (H x W) | Overall Size | Net Wt. (lbs.) | Quantity |
|------------------|--------------------|-------------------|----------------|----------|
| 115" | 45" x 105 3/4" | 39 1/4" x 60 1/2" | 34 | |
| 132" | 52" x 122" | 51" x 67" | 38 | |
| 148" | 58" x 136 1/4" | 54" x 71" | 41 | |
| 153" | 60" x 141" | 58" x 76" | 43 | |
| 166" | 65" x 152 3/4" | 64" x 64" | 47 | |

AV Format

| Nominal Diagonal | Image Area (H x W) | Overall Size | Net Wt. (lbs.) | Quantity |
|------------------|--------------------|--------------|----------------|----------|
| | 50" x 50" | 54" x 54" | 33 | |
| | 60" x 60" | 64" x 64" | 38 | |
| | 70" x 70" | 74" x 74" | 47 | |
| | 84" x 84" | 88" x 88" | 55 | |
| | 96" x 96" | 100" x 100" | 58 | |
| | 108" x 108" | 112" x 112" | 71 | |
| | 120" x 120" | 124" x 124" | 78 | |

Custom Size (available up to 168" x 168")

Also available in 1:85-1 and 15:9 Formats. Contact Draper.



PROJECT: _____

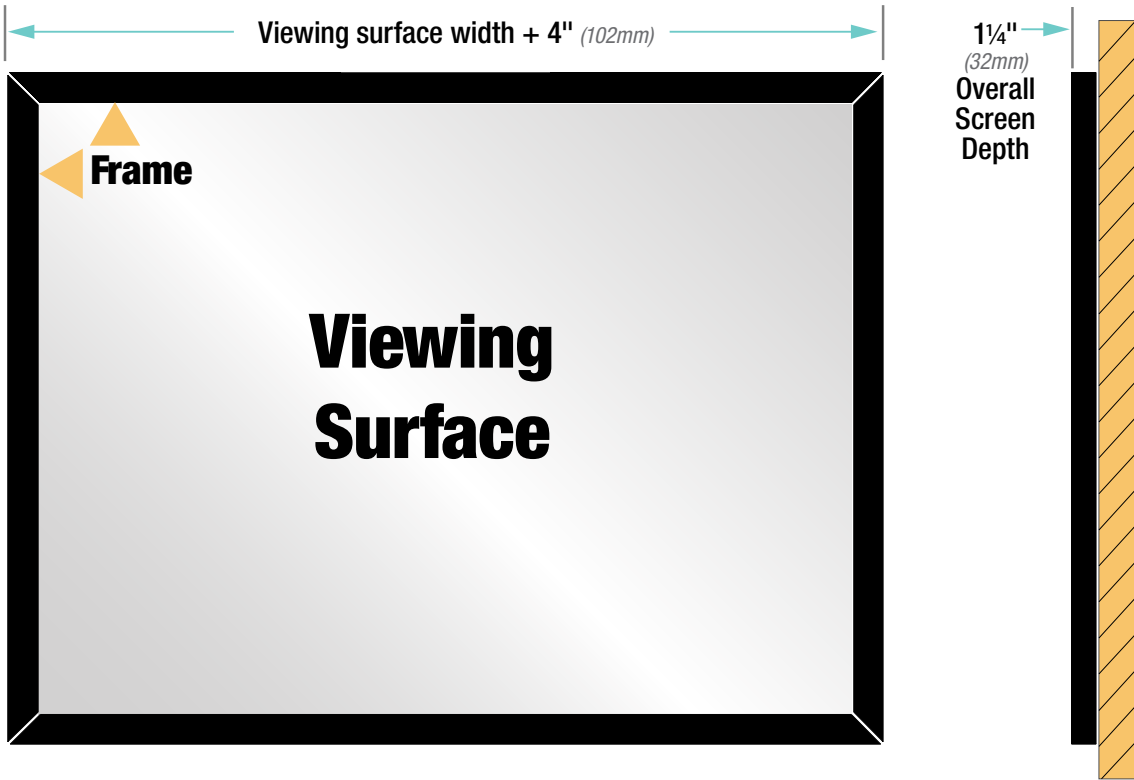
ARCHITECT: _____

CONTRACTOR: _____

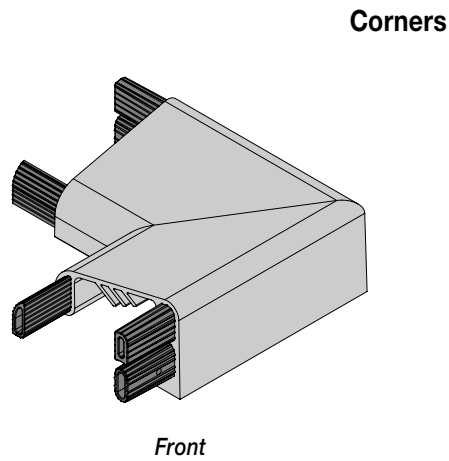
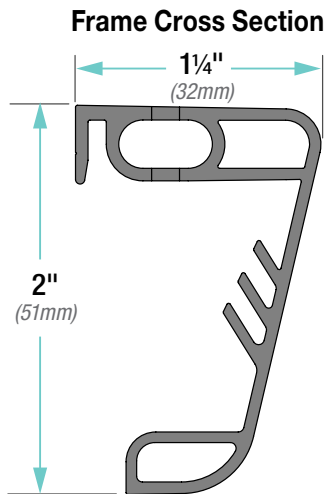
SUPPLIER: _____

DATE: _____ REVISED: _____

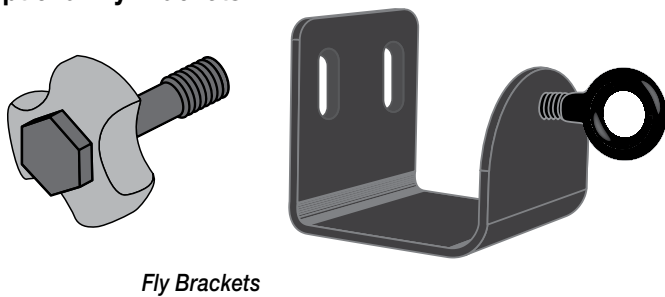
Dimensions



Frame Components - Detail



Optional Fly Brackets



PROJECT: _____

ARCHITECT: _____

CONTRACTOR: _____

SUPPLIER: _____

DATE: _____ REVISED: _____