

ShadowBox Clarion

Permanently tensioned projection screen with truly flat viewing surface for sharper image quality

SUBMITTAL
TECHNICAL INFO

Please check all appropriate selections and attach room schedule with verified dimensions.

Specifications

QUANTITY: _____ **SIZE:** _____ h. x _____ w. (overall size)
designed for permanent wall mounting. Extruded aluminum base frame, equipped with snaps set on 6" (152mm) centers and finished in black. Viewing surface attaches to rear side of frame, for shadow box appearance. Seamless viewing surface.

Matt White XT1000V and Grey XH600V viewing surfaces are certified to GREENGUARD standards for low chemical emissions into indoor air during product usage. For more information, visit ul.com/gg.

Viewing surfaces have reinforced black webbing on all four sides with snaps to fit base frame. Webbing completely concealed behind frame. Frame equipped with mounting flange that mates with wall brackets.

Downloadable 3-part specifications: available at www.draperinc.com

Please note: Dimensions of rollers, operators and hardware at manufacturer's discretion.



Select Viewing Surface:

TECVISION® Premium Optical Surface

- XH700X Grey (0.7 gain) Certified
- XH800X UST ALR (0.8 gain) Certified
- XH900X ALR (0.9 gain) Certified
- MS1000X ALR (1.7 gain) Certified
- CS1000X ALR (1.0 gain) Certified
- CS1200X ALR (1.2 gain) Certified
- XT1000X White (1.0 gain) Certified
- XT1100X White (1.1 gain) Certified
- XT1300X White (1.3 gain) Certified
- XT1600X White (1.6 gain) Certified
- XT1800X White (1.8 gain) Certified
- XH700X Grey NanoPerf (0.7 gain) Certified
- XH900X ALR NanoPerf (0.9 gain) Certified
- MS1000X ALR NanoPerf (1.0 gain) Certified
- XT1000X White NanoPerf (1.0 gain) Certified
- XT1100X White NanoPerf (1.1 gain) Certified
- XT1300X White NanoPerf (1.3 gain) Certified
- XT1600X White NanoPerf (1.6 gain) Certified
- XT1800X White NanoPerf (1.8 gain) Certified
- CS1000X ALR NanoPerf (1.0 gain) Certified
- CS1200X ALR NanoPerf (1.2 gain) Certified

OptiFlex (Flexible)

- Matt White XT1000V (1.0 gain) (GREENGUARD Gold Certified)
- Grey XH600V (0.6 gain) (GREENGUARD Gold Certified)
- Pure White XT1300V (1.3 gain)

CineFlex

- CineFlex CH1200V (1.2 gain)
- CineFlex White XT700V (0.7 gain)
- ClearSound NanoPerf XT1000V (1.0 gain)

Trim Frame Options

- Black Thermosetting Acrylic (standard)
- Optional Black Vel-Tex textile covering



Draper, Inc. | 411 S. Pearl St. Spiceland, IN 47385
draperinc.com | 765.987.7999 | 800.238.7999

© 2021 All Rights Reserved | FORM: Clarion_ShadowBox_Sub21

Dimensions and Data

16:10 Format

| Nominal Diagonal | Image Area (H x W) | Overall Size | Net Wt. (lbs.) | Qty. |
|------------------|--------------------|--------------|----------------|------|
| 94" | 50" x 80" | 53" x 83" | 35 | |
| 109" | 57½" x 92" | 60½" x 95" | 35 | |
| 113" | 60" x 96" | 63" x 99" | 34 | |
| 123" | 65" x 104" | 68" x 107" | 40 | |
| 137" | 72½" x 116" | 75½" x 119" | 43 | |
| 165" | 87½" x 140" | 90½" x 143" | 55 | |

HDTV Format (16:9)

| Nominal Diagonal | Image Area (H x W) | Overall Size | Net Wt. (lbs.) | Qty. |
|------------------|--------------------|--------------|----------------|------|
| 92" | 45" x 80" | 48" x 83" | 35 | |
| 100" | 49" x 87" | 52" x 90" | 36 | |
| 106" | 52" x 92" | 55" x 95" | 36 | |
| 110" | 54" x 96" | 57" x 99" | 34 | |
| 119" | 58" x 104" | 61" x 107" | 40 | |
| 133" | 65" x 116" | 68" x 119" | 46 | |
| 161" | 79" x 140" | 82" x 143" | 55 | |
| 193" | 95" x 169" | 98" x 172" | 65 | |
| 220" | 108" x 192" | 111" x 195" | 80 | |

NTSC Video Format (4:3)

| Nominal Diagonal | Image Area (H x W) | Overall Size | Net Wt. (lbs.) | Qty. |
|------------------|--------------------|--------------|----------------|------|
| 6' | 43" x 57" | 46" x 60" | 29 | |
| 6½' | 47" x 63" | 50" x 66" | 31 | |
| 7' | 50" x 67" | 53" x 70" | 33 | |
| 90" | 54" x 72" | 57" x 75" | 34 | |
| 100" | 60" x 80" | 63" x 83" | 34 | |
| 10' | 72" x 96" | 75" x 99" | 42 | |
| 150" | 90" x 120" | 93" x 123" | 54 | |
| 15' | 108" x 144" | 111" x 147" | 65 | |

Custom Size

| | | | |
|--|--|--|--|
| | | | |
|--|--|--|--|

PROJECT: _____

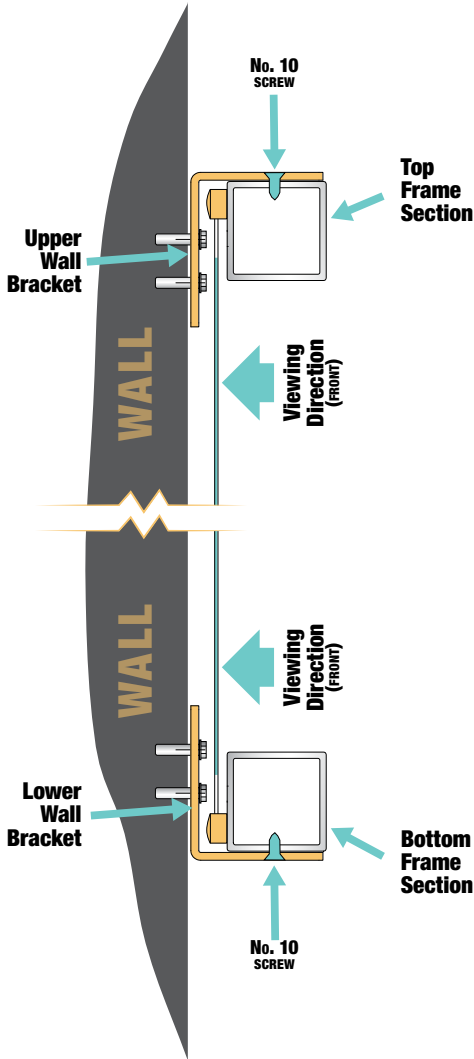
ARCHITECT: _____

CONTRACTOR: _____

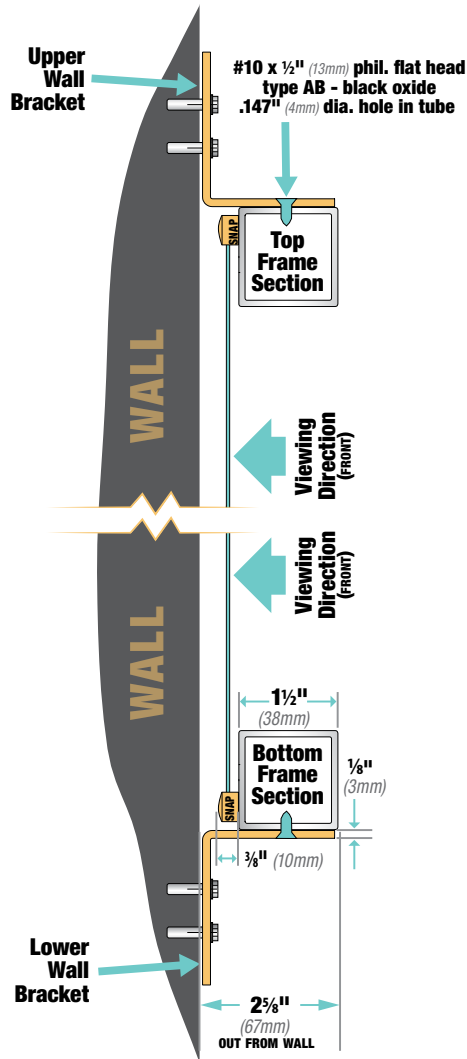
SUPPLIER: _____

DATE: _____ REVISED: _____

Dimensions

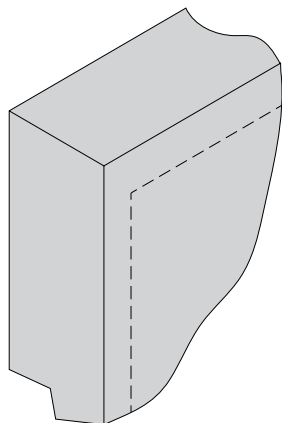
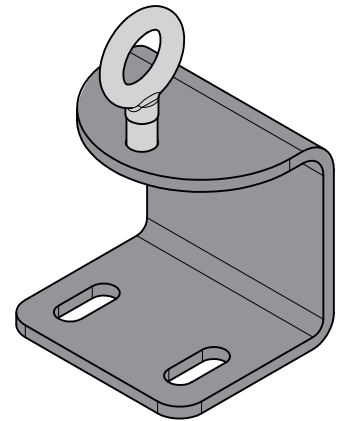
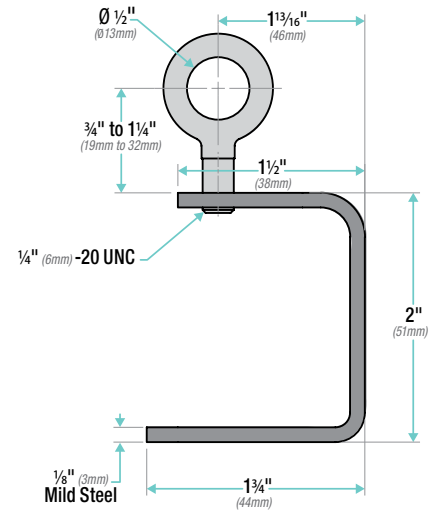


**ShadowBox Clarion
Cross Section and Typical Wall Mount**



**ShadowBox Clarion
Dimensions and rear projection wall mount**

Optional Fly Brackets



Corner Detail

PROJECT: _____

ARCHITECT: _____

CONTRACTOR: _____

SUPPLIER: _____

DATE: _____ REVISED: _____